



Recommendation for installing The Fenergie Egress window



Based on CSA A440 standards

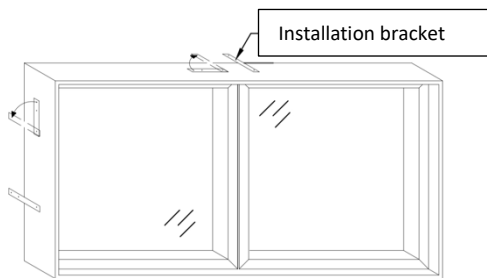
SPACE BETWEEN THE FRAME AND THE STRUCTURE:

- The frame must be centered, level (horizontal and vertical), square (vertical 90 degree).
- The dimensions shown below are greater than the CSA-A440 standard in case of expansion.

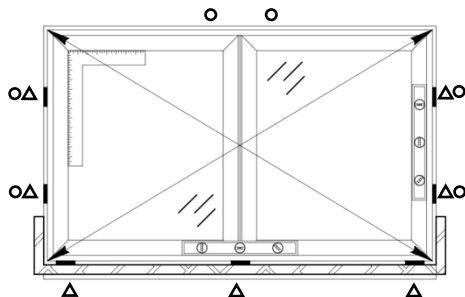
WIDTH: Min 12,5mm (1/2") Max 19mm (3/4")

THRESHOLD: Min 12,5mm (1/2") Max 25mm (1")

HEAD: Min 12,5mm (1/2") Max 22mm (7/8")



Unfold the installation brackets by rotating them a quarter turn before inserting the window in the opening



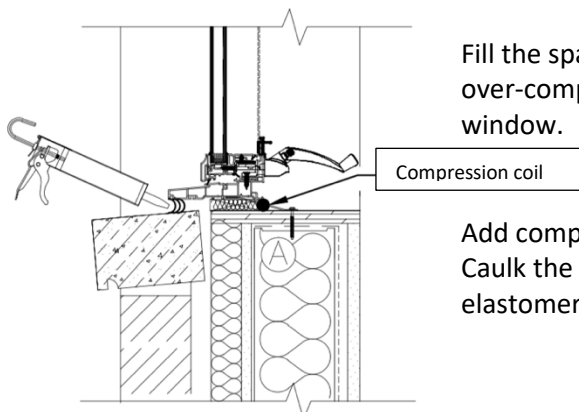
Use wood shims (cedar shingles) to level the window. Use the shims where shown in Figure 2.

Install shims 200mm (8") from the corners on each side of the frame.

Install additional shims every 500mm (20") at the sill.

Screw the installation brackets with wood screws long enough to anchor the window to the structure.

Check the opening for proper operation and adjust the hardware if necessary.



Fill the space between the frame and the structure with insulation without over-compacting it. Be sure not to bend the sides, head and sill of the window.

Add compression coil to the inside edge of the window.

Caulk the space between the exterior finish and the window with an elastomeric (silicone) sealant.