

## Understanding Window Terminology

Familiarity with window terminology will assist you in buying the right type of window for your home. As windows generally last 20-25 years, new windows are not a frequent purchase item for homeowners. New technologies and performance standards have changed significantly over the past 20 years. Terminology commonly used in the window industry is presented in this fact sheet.

### COMPONENTS OF A WINDOW

Windows consist of the following components (see figure 1) :

- frame
  - sill
  - head
  - nailing flange
  - mullion
- glazing
- sash
  - stile
  - rail
  - hardware

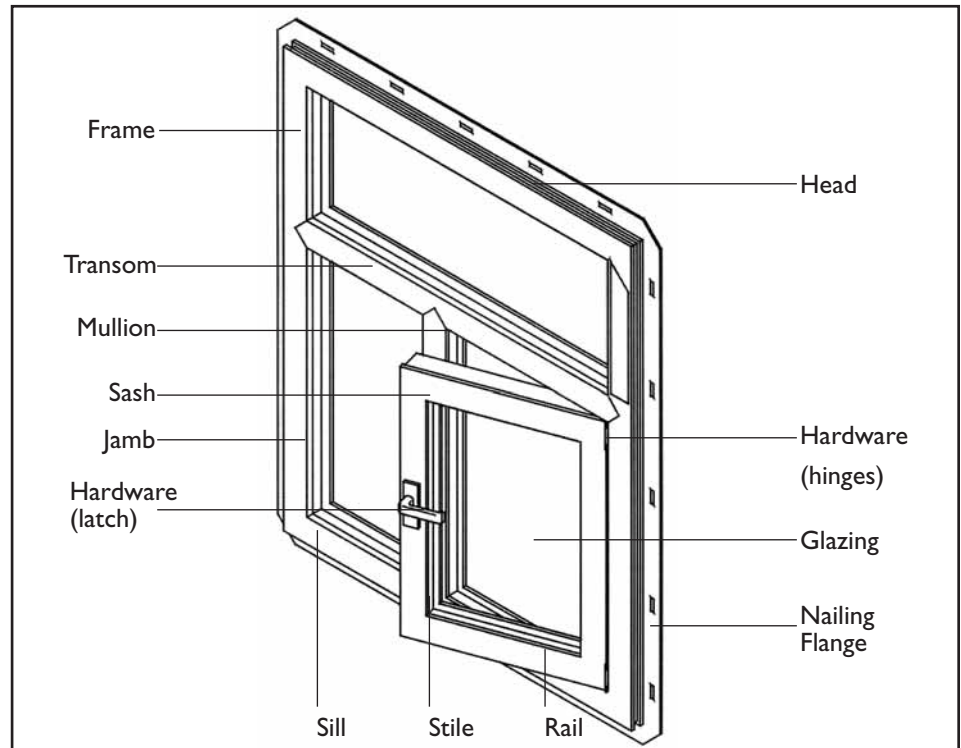


Figure 1 Components of a window

### Frame

The horizontal and vertical portions that surround the sash and on which it is hung comprise the frame. Frames are usually made of the same materials as the sash. Window frames may be manufactured with or without nailing flanges. Frame and sash design and construction are important for both energy efficiency and appearance. Several materials are commonly used:

**Wood** frames have high insulating properties and can be painted or stained any colour. They require ongoing maintenance to prevent moisture damage. They are usually less expensive than frames made of other materials.

**Clad wood** frames have the advantage of wood's natural insulating qualities, but they require less maintenance. The cladding is usually aluminum or vinyl, available in limited colours. Moisture problems can be reduced if the cladding is applied properly to the wood. If moisture gets trapped between the cladding and the wood, damage and rot can occur unseen.

**Aluminum** frames are strong and durable, but they readily conduct heat. To avoid heat loss and condensation, aluminum frames are required by the National Building Code of Canada to have a thermal barrier inside made from rigid foam, polyurethane or wood, to reduce heat transfer. While aluminum frames are durable and require little maintenance, they have poor insulating properties. Some aluminum frames have mitred joints in the corners, which can allow water to leak into the wall if the joints are not properly sealed or if the seals fail.

**Vinyl** frames are available in two types:

- 1) Extruded vinyl frames incorporating internal air cavities.
- 2) Reinforced inner structure of another material—wood or metal. Wood is preferable because it has better insulating qualities than metal.

Vinyl frames are very durable and low maintenance—they can resist colour fading, moisture, termites, corrosion and air pollutants. The material can be easily shaped into the required dimensions. Vinyl windows provide good—even excellent—insulating properties as long as the cavities in the sash and frame are insulated.

**Fibreglass** frames are relatively new. They are light, durable and strong, even in narrow sizes, they have excellent insulating qualities, and they do not expand and contract with heat and cold as much as other frames. They are also more expensive than other types of windows.

### Glazing

The glazing (or glass) can be a solid sheet of glass, or several panes divided by a **mullion**. A mullion is a secondary frame that holds the window-panes in the sash. Some glazings are made of tempered glass, to resist breakage, and some are made of laminated glass, which not only reduces breakage, but if the window does break, the glass shards will be too small to cause injury.

**Double-glazed** windows have two layers of glass separated with a spacer. It is the minimum standard allowed by the National Building Code of Canada. Air trapped between the glass layers provides some insulating value.

**Triple-glazed** windows have three layers of glass, or two layers with a low-emissivity (Low-E) film suspended between them. The additional layer and air space give triple glazing better insulation value than that provided by double glazing. It is a good choice where extremes in weather and temperature are the norm. Triple-glazed windows can help reduce sound transmission where outside noise is a problem, but because the sash is heavier it may be more difficult to operate than a double-glazed sash.

### Glazing technology

**Low-emissivity (Low-E)** consists of a thin layer of metal oxide applied to the exterior face of the interior glazing in a double-glazed window. This coating allows sunlight to pass through, but blocks heat from escaping. A double-glazed Low-E window provides similar insulation value to that of a triple-glazed unit, but costs less and weighs less. Low-E glazing filters out the sun's ultraviolet (UV) rays, which can fade furnishings, and can reduce condensation on the window by keeping the indoor surface of the glass and frame warmer.

**Inert gas fills** are another innovation in window technology. Air is replaced with argon or krypton, between the panes of glass in a sealed unit. Inert gases have a higher insulating value than air because they are denser and have lower thermal conductivity, resulting in lower heat transmission between the panes of glass. Argon is the most commonly used gas due to its availability and low cost. Gas fills are a cost-effective upgrade over conventional air-filled glazings.

It is possible to get different **coloured glazings** to reduce solar heating and provide **glare control**. This technique is normally only seen in commercial or multi-residential highrise buildings. Films can be purchased to reduce glare from the sun, although glare can also be reduced through plantings outdoors, window awnings or shutters. Tinted films should be applied by a qualified contractor, as the application process requires some skill and special tools.

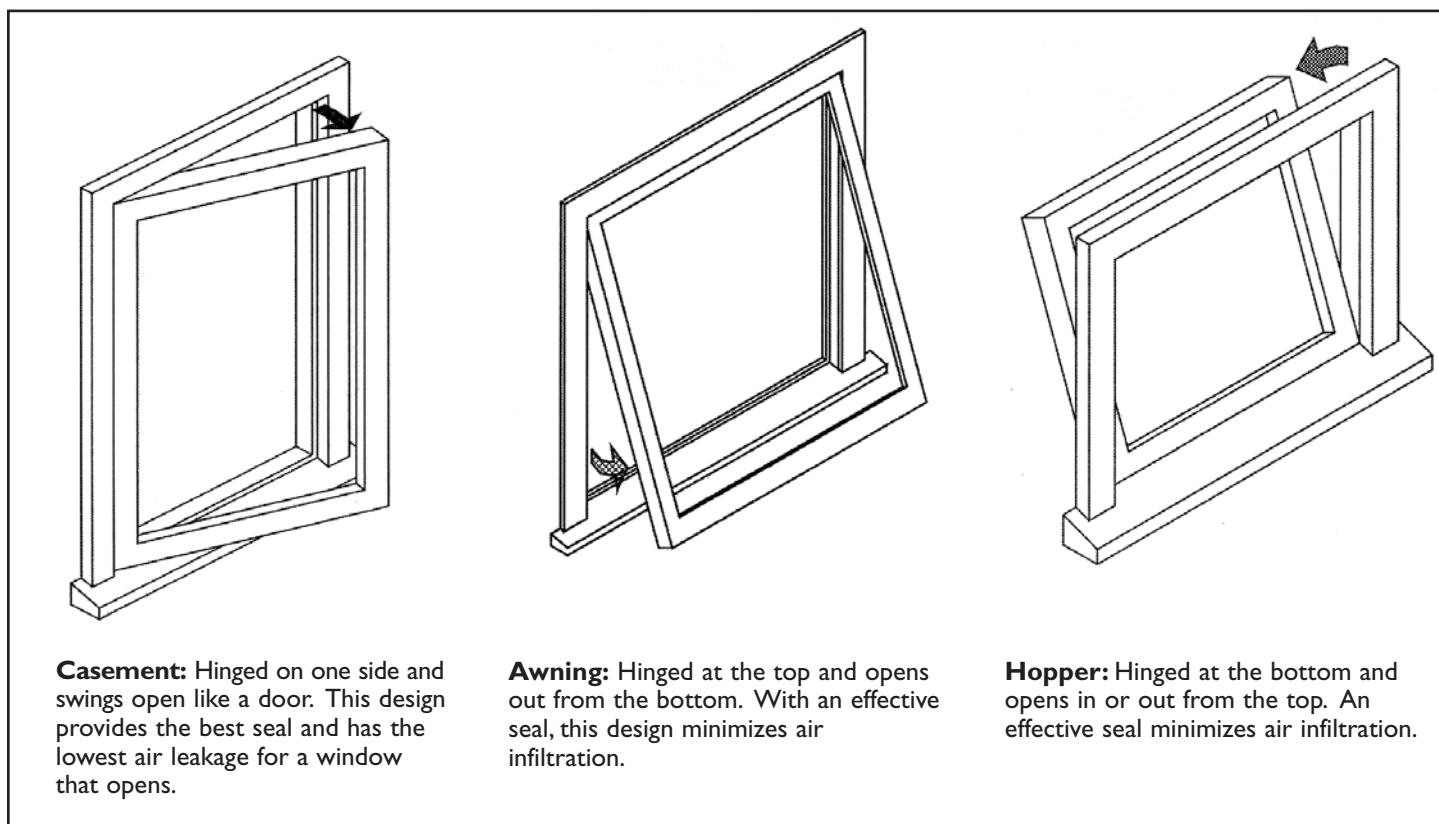


Figure 2 Hinged models

### Sash

Windows come either fixed or operable (openable). Operable windows have a sash, which is a unit assembly of stiles and rails for holding the glass that moves when the window opens. They are available in a variety of sliding or hinged models. The sash can be made of wood, vinyl, metal or fiberglass and should make a tight seal with the frame when the window is closed. However, if the seal is too tight, the operable portion of the window may be difficult to operate.

### Spacer bars

These appear around the perimeter of the sealed glazing unit to provide uniform separation between the panes of glass in multiple-paned windows. Spacer bars are typically made of aluminum, but spacers made of less conductive materials are now available. A high-performance/ warm-edge spacer can increase the energy efficiency of a window, provided that the frame is made of insulating materials (warm-edge spacers are less effective on metal-framed windows).

Spacers incorporate a dessicant that absorbs moisture from the trapped air in the space between the glass preventing fogging and condensation. Should your window fog, it means the seal is broken.

### Casing

This consists of the moldings that surround the window and cover the frame.

### Hardware

The hardware used in an operating window may include hinges, latches, cranks or levers. For security, some windows may have locks. The crescent-shaped locks are standard on many single and double-hung windows.

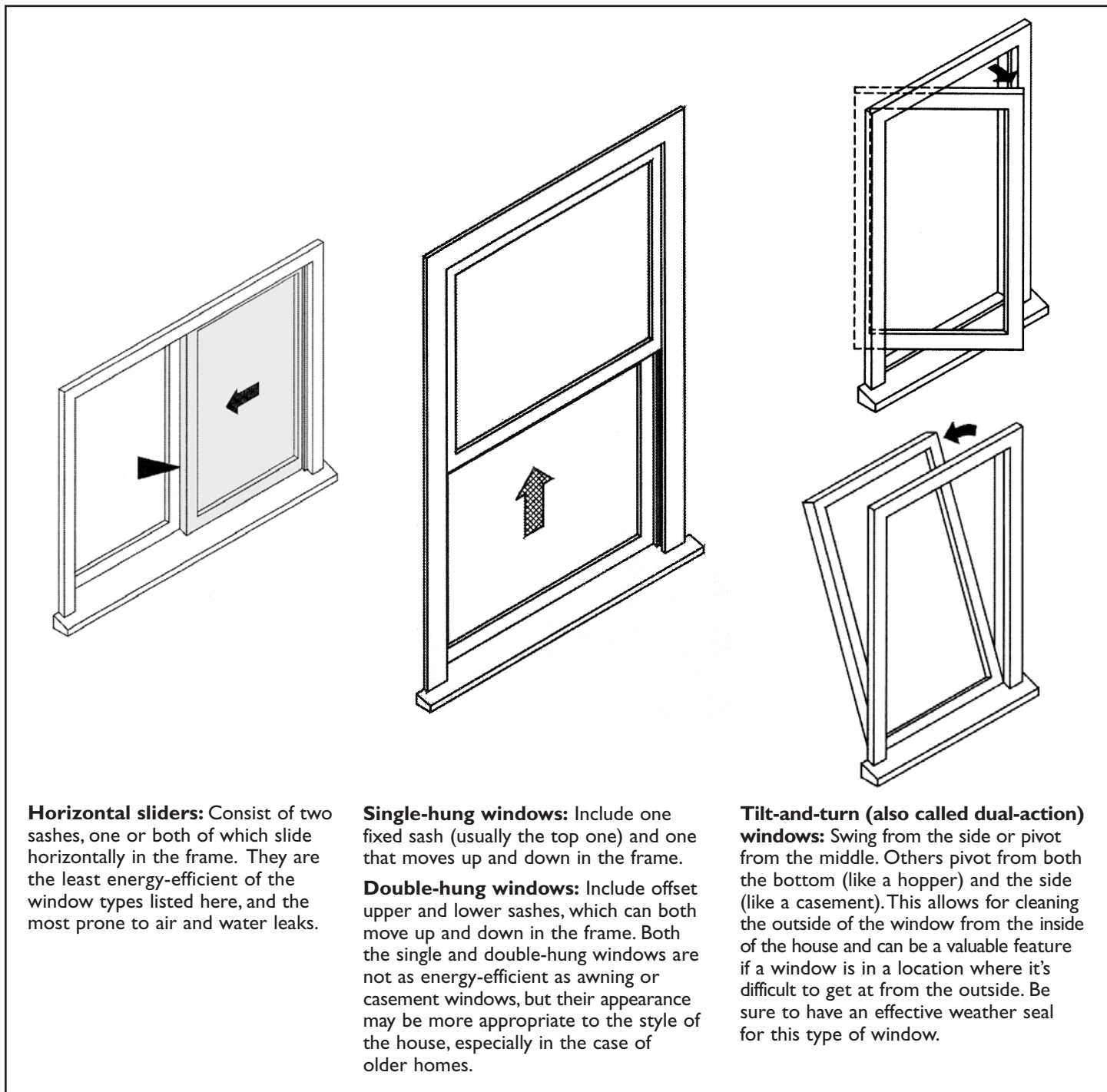


Figure 3 Sliding models

## Weatherstripping

Weatherstripping is a component of an operable window, and provides a seal between the window frame and the operable sash. It is used to prevent air leakage, and the better the weatherstripping, the better the window performance. There are two categories of design:

## Wiper or Brush-type seals

(sometimes called “mohair”) are more common in sliding windows and wear out more quickly due to the type of window operation. They are also more likely to be used for exterior weather seals, and can tear easily if the window is opened when the seals are embedded in ice or frost.

**Compression seals** (sometimes called “bulb”) are also more fragile in cold weather and can crack if the seal wall is too thin or the window is operated during very cold weather.

Weatherstripping is generally the most vulnerable component in an operable window, as it receives the most wear and tear. The seals should be checked annually for signs of wear or damage, and replaced as necessary.

## ADDITIONAL RESOURCES

Developed by Natural Resources Canada (NRCan), the ecoENERGY initiative provides a residential energy assessment service delivered by local organizations across Canada for a fee. Retrofits, including window upgrades, may be eligible for grants. To find grant information or a local service organization, visit [www.ecoaction.gc.ca](http://www.ecoaction.gc.ca) or call 1-800-387-2000.

**To find more About Your House fact sheets plus a wide variety of information products, visit our website at [www.cmhc.ca](http://www.cmhc.ca). You can also reach us by telephone at 1-800-668-2642 or by fax at 1-800-245-9274.**

### **Priced Publications**

*Healthy Housing Renovation Planner*

*Order No. 60957*

### **Free Publications**

**About Your House** *fact sheets*

*Before You Start Window and Door Renovations*

*Order No. 62256*

*Hiring a Contractor*

*Order No. 62277*

*Hiring a Home Inspector*

*Order No. 62839*

*Sample Renovation Contract*

*Order No. 62351*

©2001, Canada Mortgage and Housing Corporation  
Printed in Canada  
Produced by CMHC  
Revised 2003, 2005, 2007

19-12-07

Although this information product reflects housing experts' current knowledge, it is provided for general information purposes only. Any reliance or action taken based on the information, materials and techniques described are the responsibility of the user. Readers are advised to consult appropriate professional resources to determine what is safe and suitable in their particular case. Canada Mortgage and Housing Corporation assumes no responsibility for any consequence arising from use of the information, materials and techniques described.